

Tsinghua Hephaestus 2018 AdultSize Team Specification

Mingguo Zhao, Haitao Wang, Rongge Zhang, Xueheng Zhang,
Zhongyuan Tian, Qilun, Wang, Wenbin Hu

Tsinghua University, Beijing, China
mgzhao@mail.tsinghua.edu.cn



Fig. 1. Robot Walker

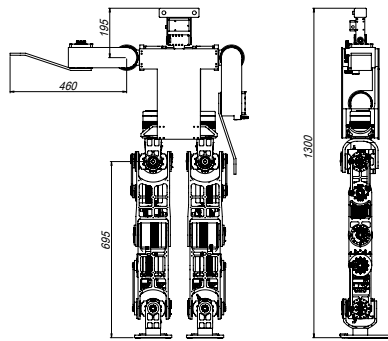


Fig. 2. Robot Dimension

- **Robot name** : Walker
- **Height of the robot** : 1300 mm
- **Weight of the robot** : 42 kg
- **Walking Speed**: 0.30 m/s
- **Number of degrees of freedom** : 20
- **Type of motors** : Harmonic gear box + PMSM Motor, 60NM@80rpm
- **Camera** : PointGrey Stereo Camera
- **Gyrometer** : Mti-28A83G25 XSENS
- **Computing unit** : Intel-NUCX2