

## RoboCup Rescue 2013 - Rescue Robot League Team

### YRA (IRAN)

MohammadReza jenabzadeh<sup>1</sup>, Alireza Kargar bideh<sup>2</sup>

<sup>1</sup>Computer department

Islamic azad university of YAZD, Prof hesabi ave

safaeie, YAZD, IRAN

[jenabzadeh@gmail.com](mailto:jenabzadeh@gmail.com)

<sup>2</sup>Mechatronic department

Islamic azad university of YAZD, Prof hesabi ave

safaeie, YAZD, IRAN

[alireza.kargar@gmail.com](mailto:alireza.kargar@gmail.com)

**Abstract.** In the present article members of YRA team from Islamic Azad University, Yazd, Iran are introduced and some brief explanation on Rescue robot such as mechanical parts, pieces and electronic boards, applied sensors, intermediate softwares, the quality of control and communication between operator and robot are discussed.

### Introduction

YRA robotic team, after getting various honors in different country's competitions, and enjoying university authorities' support, took part in Suzhou 2008, Graz 2009, Singapore 2010, Istanbul 2011 and Mexico City 2012 robocup competitions. In the Istanbul 2011, concerning experience achieved through the previous round of the game, YRA, among other participants, could achieve a 1<sup>st</sup> place in "Best in class Manipulation" field. Now, the YRA is accomplishing robot-promotion program comprising adjustment of deficiencies observed at previous competitions, in a challenge to have an active and successful presentation in the IRANOPEN2013 competition on "Rescue Real" field. In continue, a more description of members would be presented and a more detail about our robot and how it works would be revealed.

### 1. Team Members and Their Contributions

- MohammadReza Jenabzadeh      Team Leader, Advisor
- Ali Asghar Khakpour Marvasti      Electronic engineering and Mechanical design
- Mohsen Mollahoseini Bajgani      Software developer and programmer
- Alireza Kargar Bideh      Minimum system design and Microcontroller programmer
- Hadi Zare      Mechanical design and Power supply design
- Jamal Beheshti Firouzabadi      Power electronics and implementation
- Meisam Bakhshi      Software developer and programmer

## 2. Operator Station Set-up and Break-Down ( 10 minutes )

Our robot is started by an operator, through a remote control device, and is ready to operate after passing 4 minutes (it is needed for AP to initiate a safe communication with computer). The weight of robot is relatively high (about 30 KG) therefore it is difficult to be repositioned by only a single operator. However, we hope, reducing the weight within the due time before starting-time of the competition, by applying some modification in such a manner it can be handled by an individual person. With respect to intermediary circuits and other parts and instruments used in the device, it is less likely to face a difficulty or fault during the contests; however, in case of any problem there are ready- spare parts to be replaced quickly.



Fig. 1. YRA Manual Rescue Robot

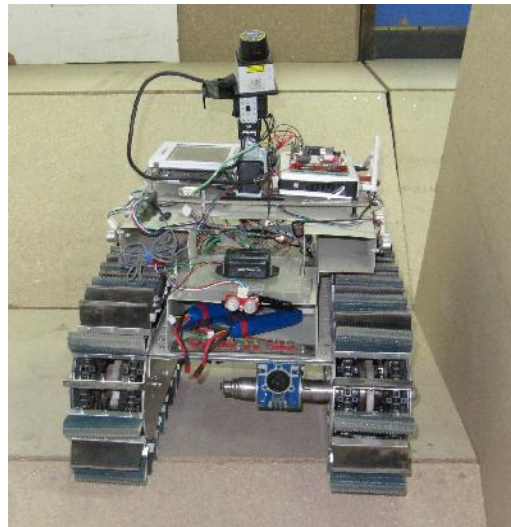


Fig. 2. YRA Autonomous Rescue Robot

### 3. Communication

To achieve a robot-operator controllable communicative environment, and get pictures, maps, and control signs in an accepted manner, we use competition-site-approved standards.

The employed AP is a product of Mikrotik co, capable of using all wireless LAN channels of A, B, and G; therefore upon the day of competition its frequency and channel would be set according to the guideline of holding committee (Appendix A shows AP technical information). Moreover, a remote control key with frequency of 45KHZ and a 16 digit code is being used to ensure the correctness of data. Remote control key is tested in a real environment and is sufficiently persistent and reliable.

**Table 1.** Frequencies and channels required by team

<b>Rescue Robot League</b>		
YRA (IRAN)		
<b>Frequency</b>	<b>Channel/Band</b>	<b>Power (mW)</b>
5.0 GHz – 802.11a	All Channel	63 mW



**Fig. 3.** Mikrotik Access Point

### 4. Control Method and Human-Robot Interface

Robot is controlled by a joystick connected to operator's computer. Next, controlled data are sent in a form of data package to AP sensor by using intermediated designed software. AP transfers data to a PIC-based microcontroller system, where after processing; necessary signals are passed for control of robot's moving motors, arms and cameras motors.

Robot's various activities are controlled by operator which include: back and forth and turning motion, arm movement, and cameras' rotation. Recognition of injured persons, vital signs investigation like temperature, CO2, injured movement and his/her voice, label reading by sending sensors' data, and pictures

of installed cameras on robot through AP are sent to two operator controlled laptops therein we may produce related lists easily.



Fig. 4. Microcontroller Board

## 5. Map generation/printing

A laser scanner is used for production of map, capable of determining walls and other materials on the ground and therefore is able to draw the way map correctly in such a manner that the place of injured persons would be defined by operator. Application of an accelerometer to assess amount of repositioning, and level difference in the environment would cause better and exact recognition of way-map and injured position. At the end of composition, all exploited signs of injured-persons and way-map would be printed.



Fig. 5. Laser Range Finder

## 6. Sensors for navigation and Localization

Following sensors are being used in our application: compass sensor for drawing of map (HMC1052), accelerometer sensor ADXL330 and ADXL212 for estimating amount of repositioning, ultrasonic sensor for determining robot distance from walls and injured-persons, and finally laser scanner sensor for specifying way-map.

## 7. Sensors for Victim Identification

Infrared and CO2 sensors are used for determining injured-persons temperature and quantity of CO2 in environment respectively. Moreover, robot's installed microphones are used to determining possible sound of injured-persons. In order to define injured-person(s) status (including movement, situation, being over the surface or under debris and ...) as well as reading the assigned label, an installed camera on robot with zoom capability would be used.

### Victim Detection Sensor



Fig. 6. Victim Detecting Sensors

## 8. Robot Locomotion

Robot propellant force is maintained by motors, that their power for reinforcement is given to the gearbox and gearwheels of robots, and that these gearwheels will move the straps and lead to the mobility of robot. Movement of robot's arms is empowered by separate motor and gearbox. Appendix B covers more complete information on the subject.

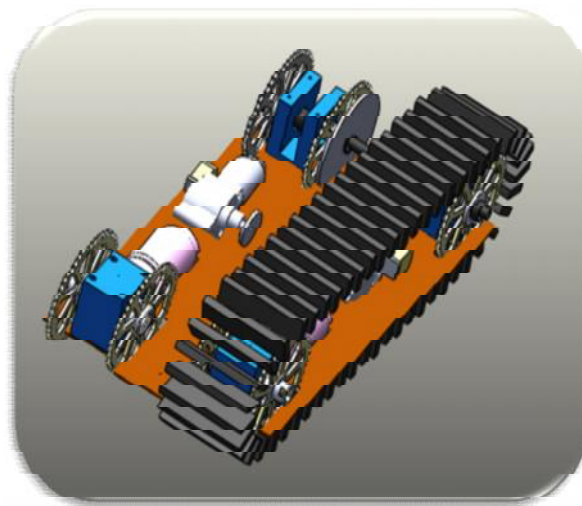
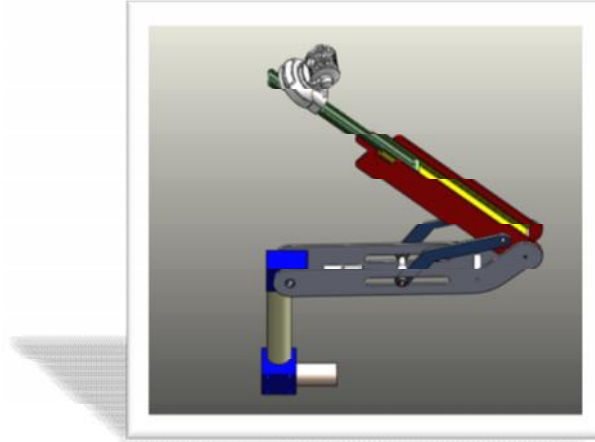


Fig. 7. Motors and straps

## 9. Other Mechanisms

A 5DOF arm is used for camera up and down motion capability and maintains more complete domination upon environment. It can set camera 90 centimeters higher than robot level. In addition a Hall Effect sensor is used for determining arms situation and better control of robot.



**Fig. 8.** 5DOF arm

## 10. Team Training for Operation (Human Factors)

For better utilization of robot and acquiring enough skills, a site similar to the competition ground according to current standards, should be built and the operator should also enjoy enough practice to guide robot in appropriate environment and encounter related problems as well. By doing so and continuing our exercises, YRA team tries its best to prepare itself for the competition. Beside, it experienced two participation practices in IRANOPEN competitions and maintained a very good advantage up to now.



**Fig. 9.** YRA in practice field

## 11. Possibility for Practical Application to Real Disaster Site

With respect to accomplished exercises in the experimental field, our robot possesses a high maneuver power in passing various obstacles and cameras and some sensors that should be installed over the robot would only be damaged upon falling over a high position (like stairs) or collapse of debris on it in a real environment. Therefore, if it might be protected against these dangerous situations, a better practical application would be revealed in a real environment.

## 12. System Cost

All-over cost of robot construction operation is about 10000 US\$. , and the integrated parts are as follows:

LG Camera 27x	400 US\$
Vivotek video server	348 US\$
Dlink Switch	30 US\$
HOKUYO URG-04LX Laser scanner	2375 US\$
Battery sonic cell	538 US\$
Dell latitude Laptop D620	1600 US\$

The rest of boards, chassis and arms are built by the team members.